



**No.01 SPARE PART ORDER CONFIRMATION**



SEND TO FAX NUM-  
 BER

CUSTOMER:.....

**+39 0444 767225**

N.	DENOMINAZIONE	Q.TÀ	CODICE
1	STANDARD RING		MCGS0067
1A	RING DIAM.50 FOR GLASS DIAM.50		MCGS0068
2	LOWER TOOL HOLDER		MCMT0008
2a	SCREW NUT		VITE0148
3	UPPER TOOL HOLDER		MCGS0009
4	SCREW NUT		VITE0050
5	GASKET FOR PRESSING CYLINDER - 80 X 50 ISO		CLPN0009
6	MICROVALVE ROLL LEVER		MTPN0125
7	JOINT		RACC0041
8	CRAB-POT VALVE FOR AIR DISCHARGE		MTPN0026
9	PRESSURE REDUCER		MTPN0018
10	FIVEWAY VALVE		MTPN0092
10 a	PROTECTION CARTER		MT120007
11	PRESSURE GAUGE		MTPN0086
12	PRESSURE REDUCER		MTPN0018/T
13	PNEUMATIC PEDAL		MCGS0035
14	FLOW REGULATOR		RACC0093
15	SCREW NUT		VITE0046
16	CAM		MT120006
17	SCREW		VITE0139
18	WASHER		VITE0071
19	SMALL BLOCK		MT120008
20	JOINT		RACC0057
21	CYLINDER 12X75		VEND0109/A
G	RUBBER CUSHION		MCGS0022
22	WHEEL LOCK WITH THREADED STUD		VEND0204
23	TUBE		MCMT0015
24	WASHER		VITE0113
25	SMALL BLOCK		MCGS0011
26	GLASS SUPPORT		MT120009
27	PLEXIGLAS GLASS		VEND0227
27 A	PLEXIGLAS GLASS FOR MATRIX WITH Ø 50 MM		RICA0066
28	DOWEL		VITE0008
29	EXTENSION ROD		MT120010
30	WASHER		VITE0071
31	SCREW		VITE0126

Customer stamp

Mr./Ms.....

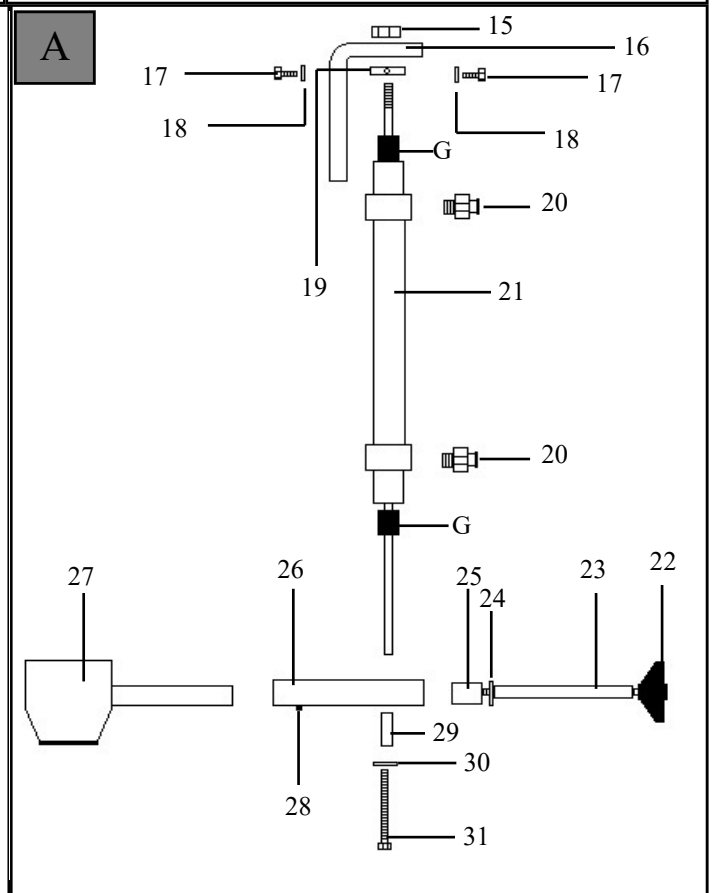
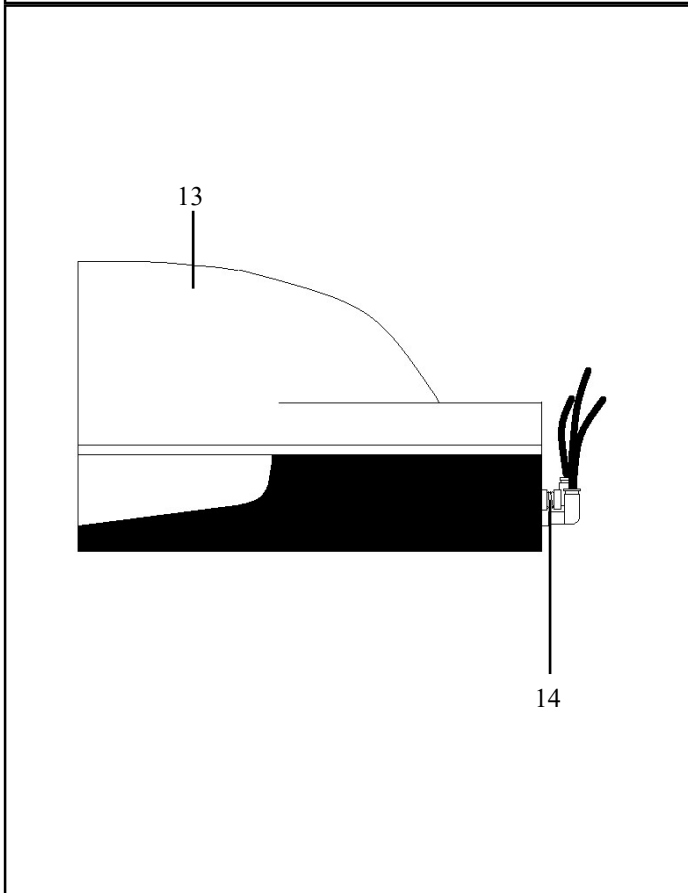
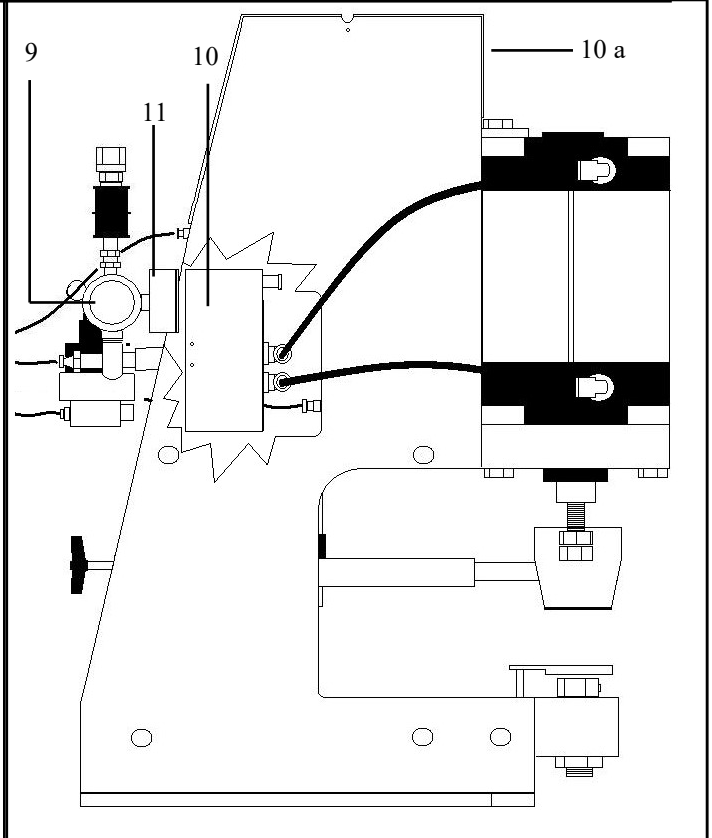
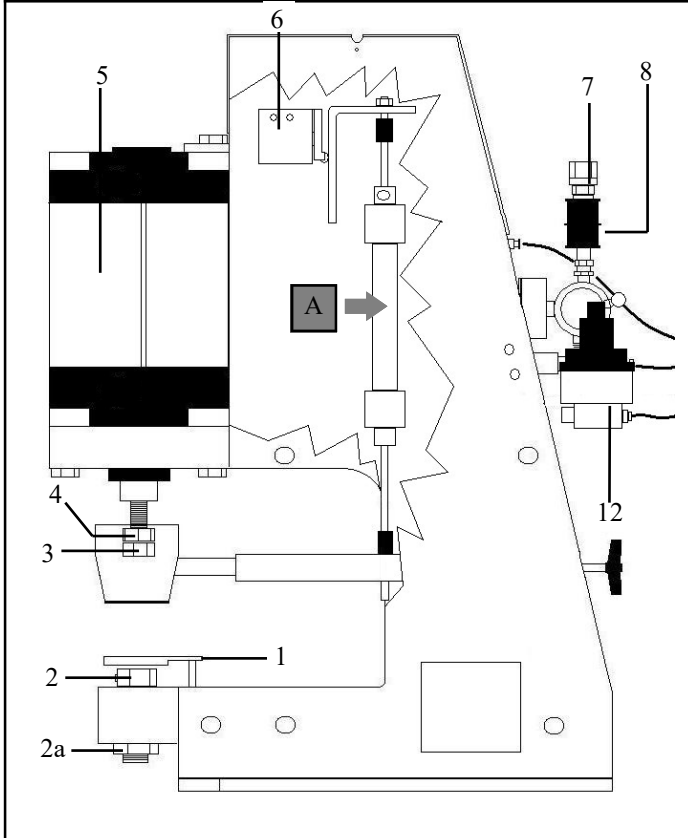
Date:...../...../.....

Signature.....

*N.B.: The general terms of sales have to be agreed upon with the commercial department of the Manufacturer.*



## N.01 SPARE PARTS TABLE



**11.1- LIST OF THE PNEUMATIC PARTS**

N.	DENOMINAZIONE	CODICE
1	CRAB-POT VALVE FOR AIR DISCHARGE	MTPN0026
2	REDUCER	MTPN0018
3	ROUND PRESSURE GAUGE	MTPN0086
4	FIVEWAY VALVE	MTPN0092
5	REDUCER	MTPN0018/T
6	CYLINDER 80 X 50 ISO	CLPN0009
7	PNEUMATIC PEDAL	MCGS0035
8	CYLINDER 12X75	VEND0109/A
9	MICROVALVE ROLL LEVER	MTPN0125

**TAB.8** (List of the pneumatic parts)