



**No.01 SPARE PART ORDER CONFIRMATION FORM**



SEND TO FAX NUMBER  
+39  
**0444 767225**

CUSTOMER:.....

No.	DENOMINATION	Q.TY	CODE
1	PNEUMATIC PEDAL		VEND0118
2	STAND		MCGS0041
3	AIR INLET CONNECTION		RACC0041
4	BED HEIGHT ADJUSTMENT SCREW		VITE0101
5	BOX CONTAINER		MCGS0055
6	PRESSING CYLINDER – ISO 100X50 ANTI-ROTATION		CLPN0056
7	AIR DISCHARGE TAP		RACC0094
8	BLOCKING VALVE		MTPN0088
9	PRESSURE MICRO-REDUCER		MTPN0018
10	PRESSURE GAUGE		MTPN0086
11	SLIDER – CRAB-POT VALVE		MTPN0026
12	FEET		MTVR0020
13	PRESSURE MICRO-REDUCER		MTPN0018/T
14	MACHINE FLATBED		MCGS0041/SB
15	RING NUT		VITE0148
16	LOWER MATRIX HOLDER		MCGS0003
17	PLEXIGLAS GLASS		MCGS0031
17	PLEXIGLAS GLASS FOR MATRIXES WITH Ø 50 MM		RICA0066
17	PLEXIGLAS GLASS FOR MATRIXES WITH Ø 70 MM		RICA0066/A
18	UPPER MATRIX HOLDER		MCGS0009
19	NUT		VITE0050
20	HEAD IN CAST IRON		MCGS0038
20a	GUIDE GLASS		MCGS0065
20b	SUPPORT RING		MCGS0067
20b	SUPPORT RING DIAM.50		MCGS0068

DET. A - HAND PROTECTION BOX: SEE SPARE PART ORDER CONFIRMATION FORM No.03


Customer stamp	Mr./Ms.....  Date:...../...../.....  Signature.....
----------------	---

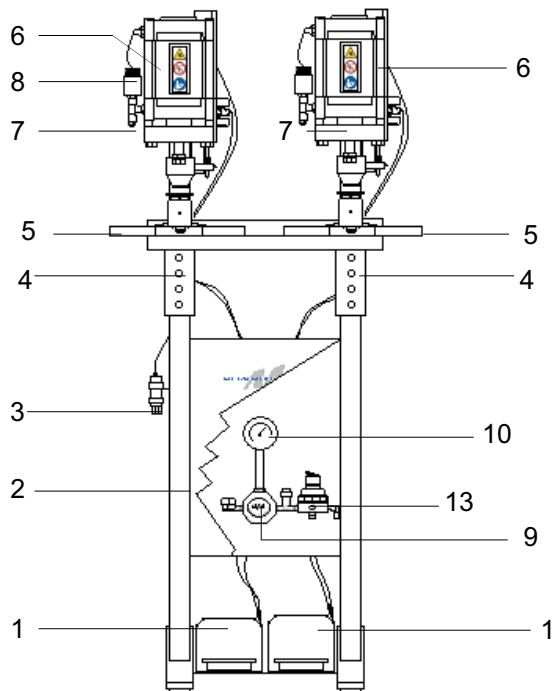
*N.B.: The general terms of sales have to be agreed upon with the commercial department of the Manufacturer.*



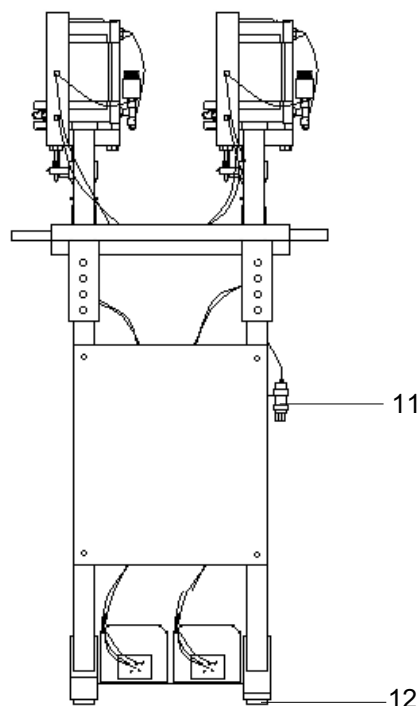
## N.01

## SPARE PART TABLE

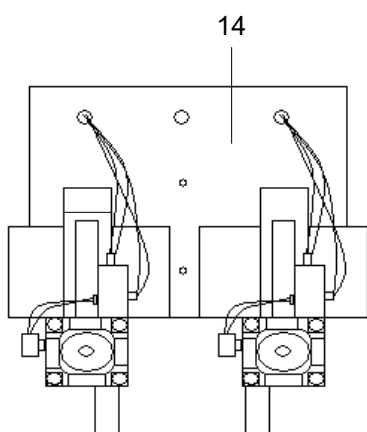
## GS/S - GS/D



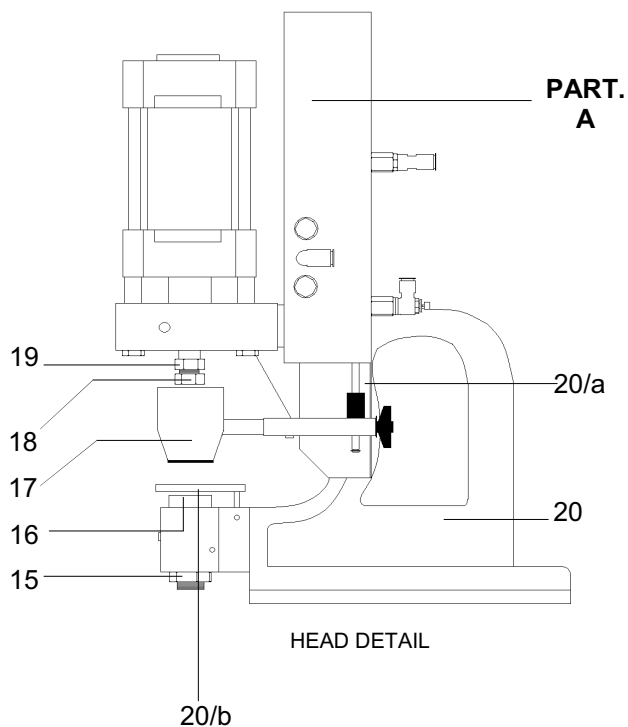
FRONT SIDE



REAR SIDE



PLANT VIEW



HEAD DETAIL



**No.02 SPARE PART ORDER CONFIRMATION FORM**



SEND TO FAX NUMBER  
+39  
**0444 767225**

CUSTOMER:.....

N.	DENOMINAZIONE	Q.TÀ	CODICE
21	PNEUMATIC PEDAL		VEND0118
22	STAND		MCGS0041
23	AIR INLET CONNECTION		RACC0041
24	BED HEIGHT ADJUSTMENT SCREW		VITE0101
25	BOX CONTAINER		MCGS0055
26	PRESSING CYLINDER - MEMBRANE 20"		CLPN0050
27	PRESSURE MICRO-REDUCER		MTPN0018
28	PANEL PRESSURE GAUGE		MTPN0086
29	SLIDER - CRAB-POT VALVE		MTPN0026
30	FEET		MTVR0020
31	PRESSURE MICRO-REDUCER		MTPN0018/T
32	MACHINE FLATBED		MCGS0041/SB
33	RING NUT		VITE0148
34	LOWER MATRIX HOLDER		MCGS0003
35	PLEXIGLAS GLASS		MCGS0031
35	PLEXIGLAS GLASS FOR MATRIXES WITH Ø 50 MM		RICA0066
35	PLEXIGLAS GLASS FOR MATRIXES WITH Ø 70 MM		RICA0066/A
36	UPPER MATRIX HOLDER		MCGS0009
37	NUT		VITE0050
38	ROD BLOCKING KNOB		MTVR0021
39	PROTECTION CARTER		MCGS0051
40	QUICK DISCHARGE		MTPN0063
41	BLOCKING VALVE		MTPN0088
42	HEAD IN CAST IRON		MCGS0038
43	SILENCER		MCGS0046
44	GUIDE GLASS		MCGS0065
45	SUPPORT RING		MCGS0067
46	SUPPORT RING DIAM.50		MCGS0068

DET. A - HAND PROTECTION BOX: SEE SPARE PART ORDER CONFIRMATION FORM No.03

Customer stamp	Mr./Ms.....  Date:...../...../.....  Signature.....
----------------	---

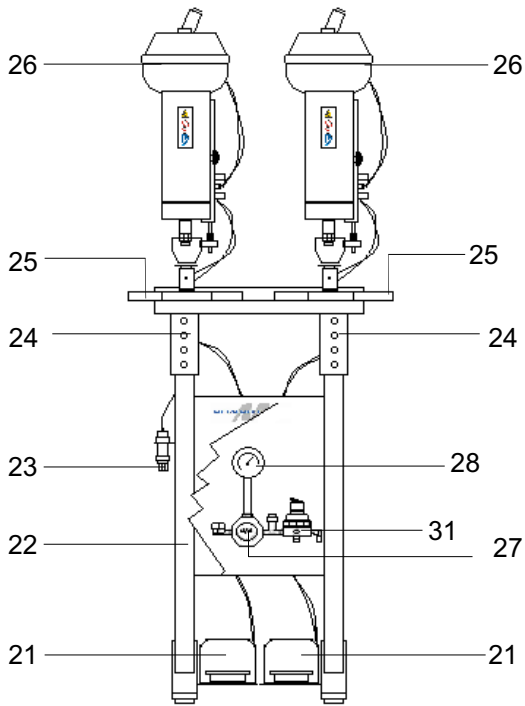
*N.B.: The general terms of sales have to be agreed upon with the commercial department of the Manufacturer.*



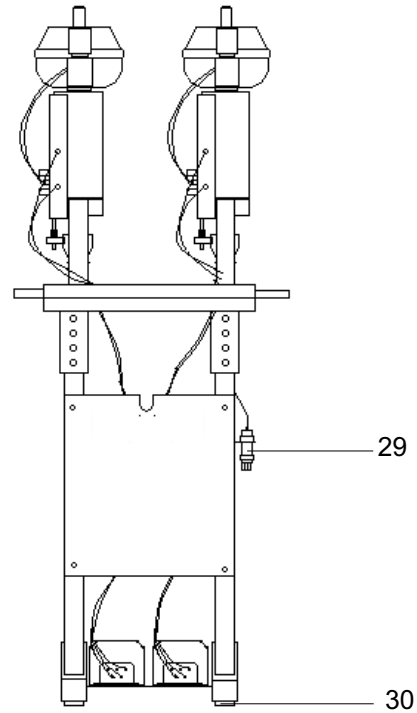
## N.02

## SPARE PART TABLE

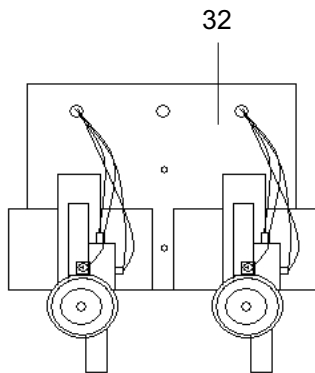
## GS/S-DC GS/D-DC



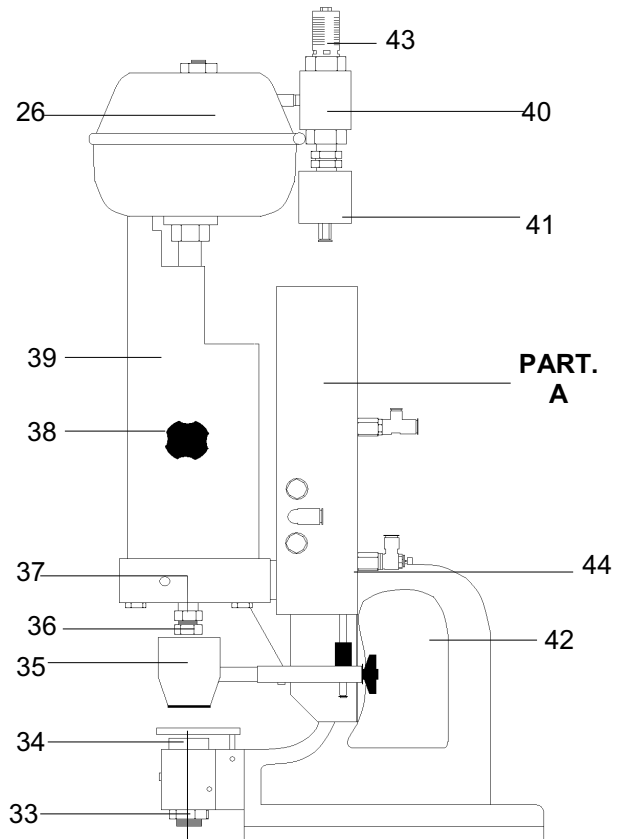
FRONT SIDE



REAR SIDE



PLANT VIEW



**PART. A**

HEAD DETAIL

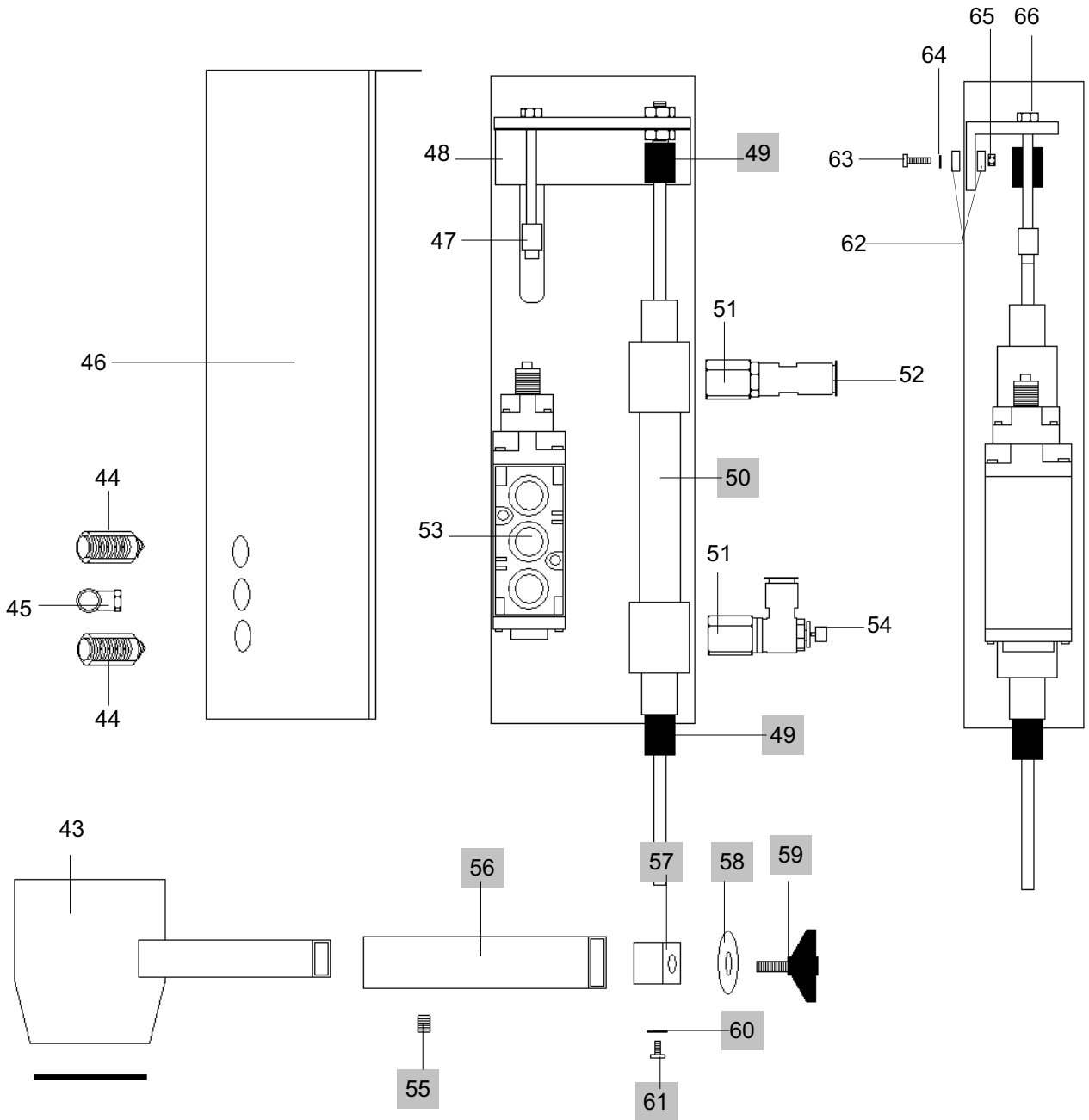




No.03

SPARE PART TABLE

DET. A - HAND PROTECTION BOX



FRONT SIDE



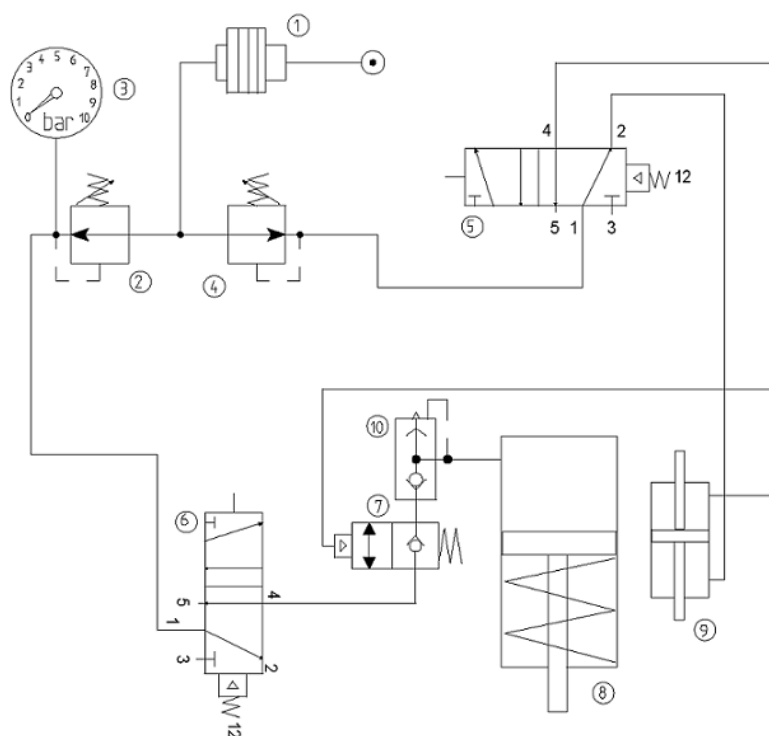
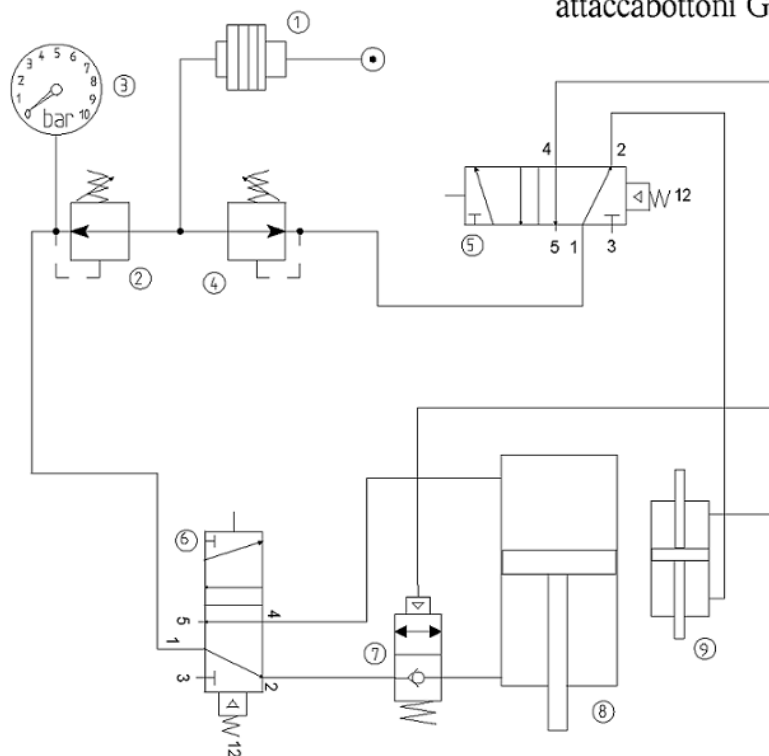
## 11.1- LIST OF THE PNEUMATIC PARTS

No.	DENOMINATION	CODE
1	SLIDER VALVE	MTPN0026
2	MICRO-REDUCER	MTPN0018
3	PRESSURE GAUGE	MPTN0086
4	MICRO-REDUCER	MTPN0018/T
5	PEDAL	MCGS0035
6	VALVE SA58M	MTPN0021
7	BLOCKING VALVE	MTPN0088
8	CYLINDER ISO 100X50 ANTI-ROTATION (Mod. GS/S - GS/D)	CLPN0056
8	MEMBRANE CYLINDER 20" (Mod. GS/S DC - GS/D DC)	CLPN0050
9	CYLINDER 12X75	CLPN0008
10	RAPID DISCHARGE	MTPN0063

**TAB.10** (List of the pneumatic parts)

**11.2- PNEUMATIC DIAGRAM MOD. GS/S E GS/S DC**

Schema pneumatico  
attaccabottoni GS/S



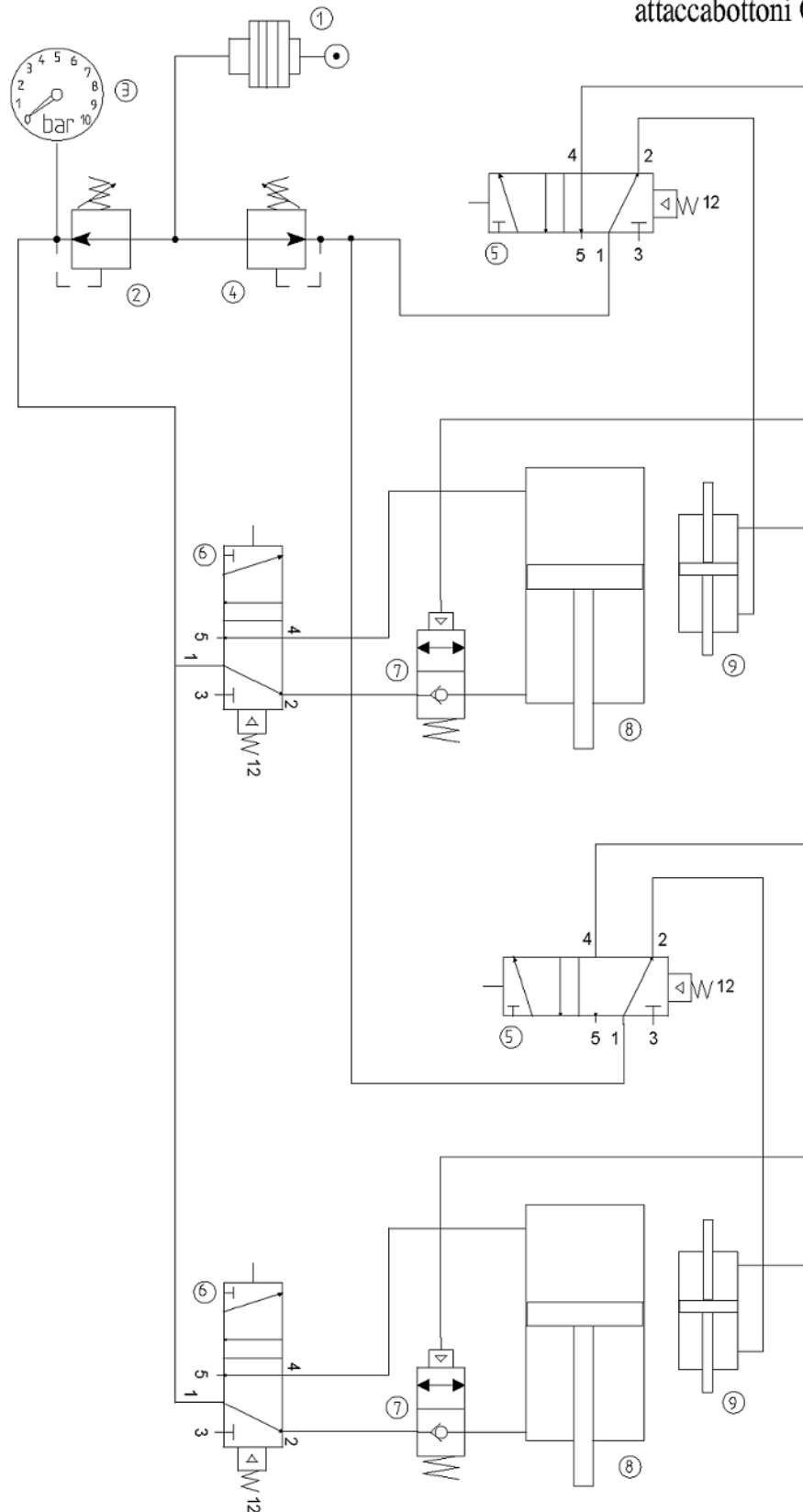
Schema pneumatico  
attaccabottoni GS/S-DC





## 11.3- PNEUMATIC DIAGRAM MOD. GS/D

Schema pneumatico  
 attaccabottoni GS/d





## 11.4- PNEUMATIC DIAGRAM MOD. GS/D

Schema pneumatico  
attaccabottoni GS/D-DC

